

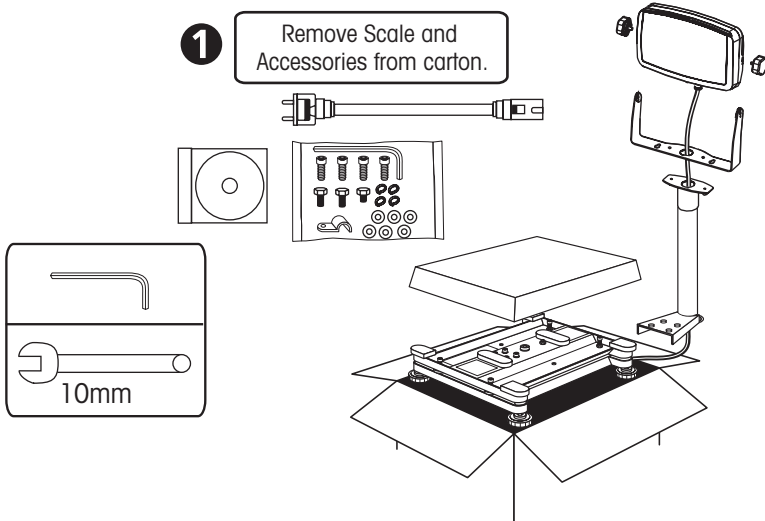


DEFENDER SERIES SCALES

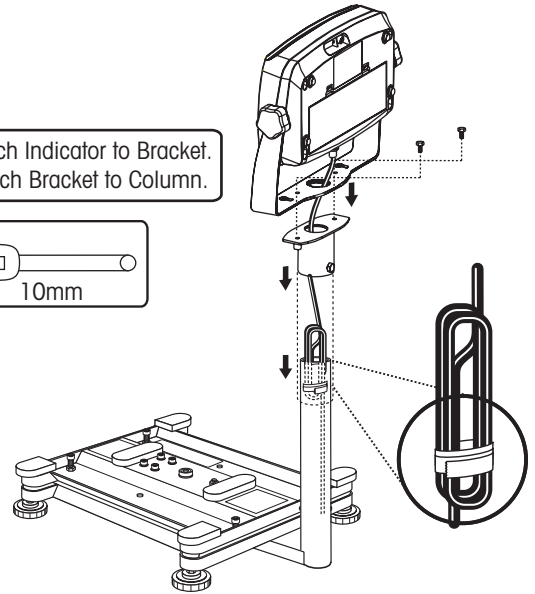
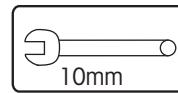
Assembly Instructions

(Refer to Documentation CD
for operating instructions)

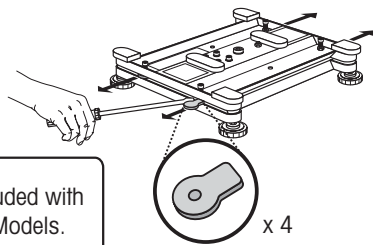
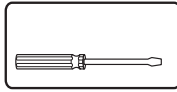
1 Remove Scale and Accessories from carton.



4 Attach Indicator to Bracket. Attach Bracket to Column.

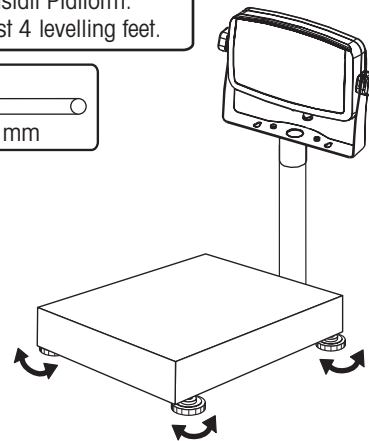
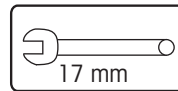


2  Remove Shipping Spacers.**

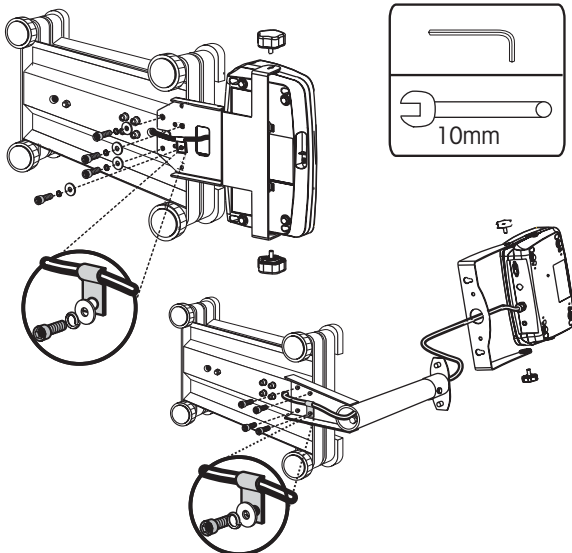
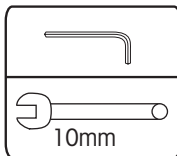


**Not included with DxxVR Models.

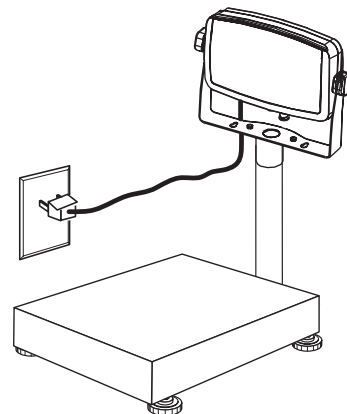
5 Install Platform. Adjust 4 levelling feet.



3 Attach Indicator Mounting and secure Load Cell Cable.



6 Connect Power Cord to Indicator. Plug Power Supply to Wall Outlet.





OVERVIEW OF CONTROLS AND FUNCTIONS

Button					
Primary Function (Short Press)	ON/ZERO Turn the indicator on. Zero the display.	PRINT Send the displayed value to the COM port.	FUNCTION Initiate the function of the current application mode.	TARE Perform a tare operation.	LIBRARY Display the library data.
Secondary Function (Long Press)	Off Turn the indicator off.	Unit Change the weighing unit.	Mode Change the application mode.	Menu Enter the menu.	Edit Enable editing the current library record.
Menu Function (Short Press)	Yes Accept the current menu or setting.	No Advance to the next menu or setting. Increment the displayed value.	Back Go back to the previous menu or setting. Decrement the displayed value.	Exit Exit the menu. Abort the calibration in progress.	
Library Function (Short Press)	Yes Accept the current setting.	No Advance to the next library or setting. Increment the displayed value.	Back Go back to the previous library or setting. Decrement the displayed value.	Exit Exit the library.	

Button		 			
Primary Function (Short Press)	1 Enter 1 on the display.	2ABC through 9WXYZ Enter alphanumeric values on the display using the multi-tap text entry method.	.-. Enter decimal point, space or dash on the display.	0 Enter 0 on the display.	CLR Clear the last character from the display
Secondary Function (Long Press)	1ΔΔ2 Change the display between Scale 1 and Scale 2.			Info Show the Accumulation statistics on the display.	+/- Change the polarity of the displayed value.

NOTE: REFER TO DEFENDER SERIES DOCUMENTATION CD FOR COMPLETE INSTRUCTIONS



* 8 0 1 1 0 1 2 8 *